

User Manual

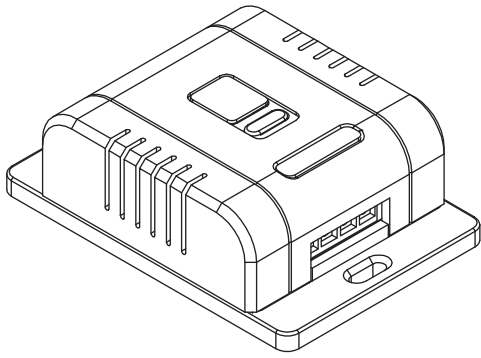
for Kinetic Wall Switch Dimmer Receivers

CUL 40040

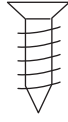
Important note: Isolate power before connecting receiver. Failure to do so can cause electric shock, fire or other hazards.

v1.0.2

A. What is in the box ?



x 1



x 2



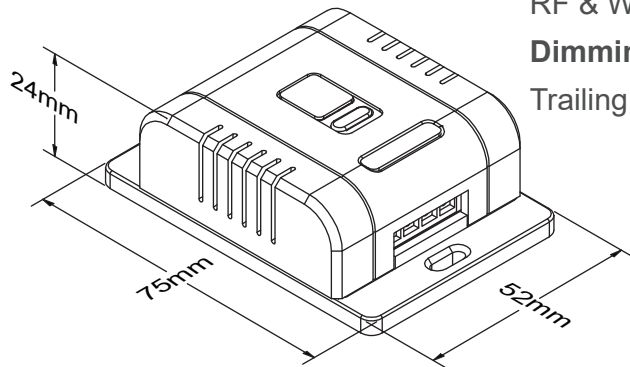
x 1



x 1

B. Specifications

Dimensions:



Product Code:

RF & Wif KR02-DM-WF

Dimming:

Trailing Edge

Power:

100W LED; 200 Resistive Loads

Input Voltage:

AC85~240V 50/60Hz

Radio Frequency:

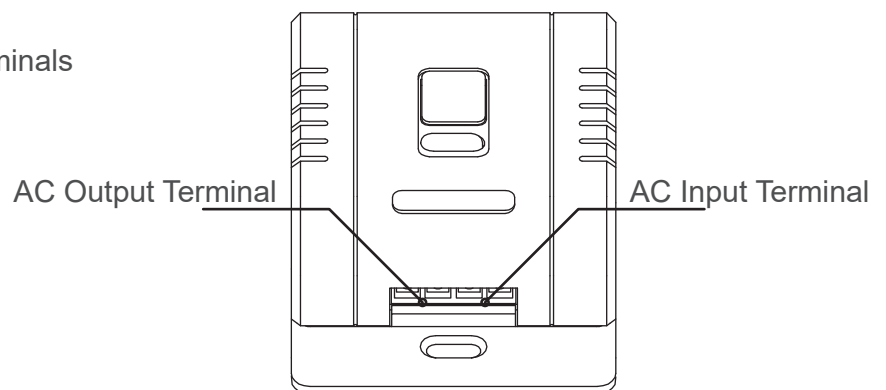
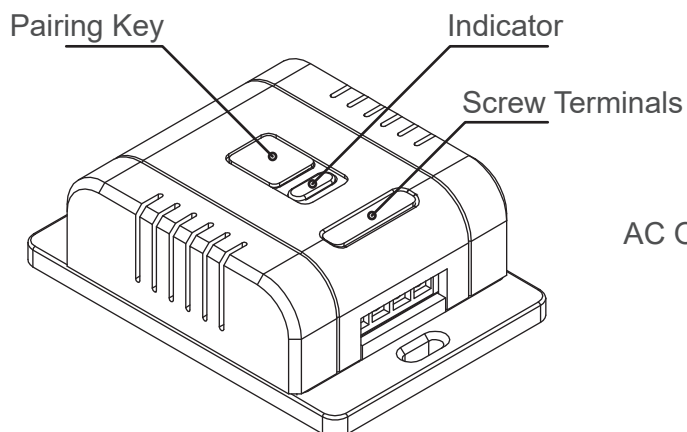
RF 433MHz & 2.4G for Smart Versions.

IP Rating:

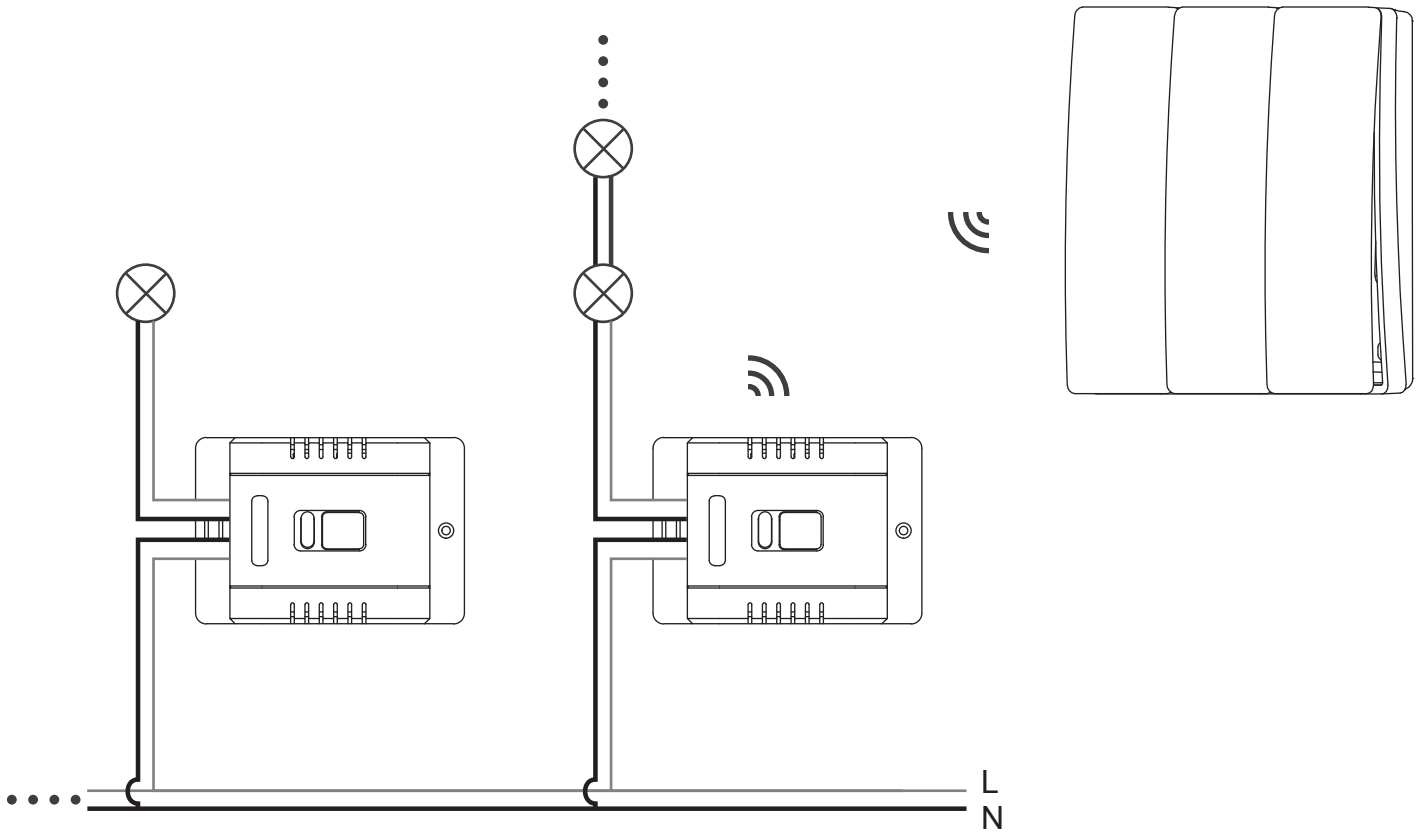
IP20; Indoor use only.



C. Functions of parts



D. Wiring Diagram

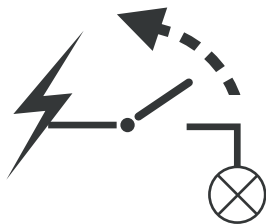


E. Installations

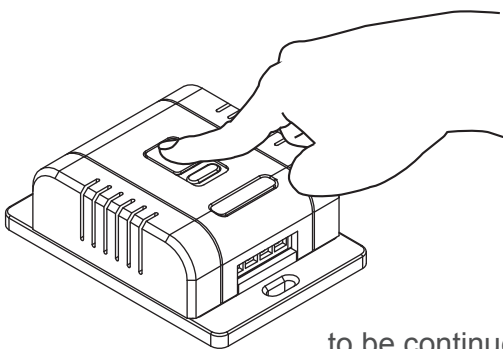
- Ⓐ Disconnect the mains before installation.



Installation must be carried out by licensed electricians.

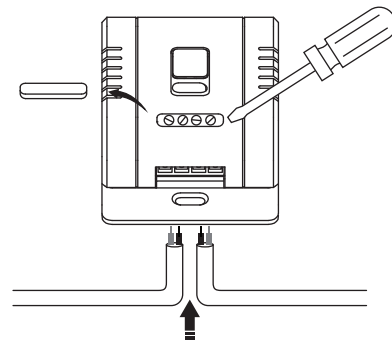


- Ⓒ Press the Pairing Key to pair to switches.

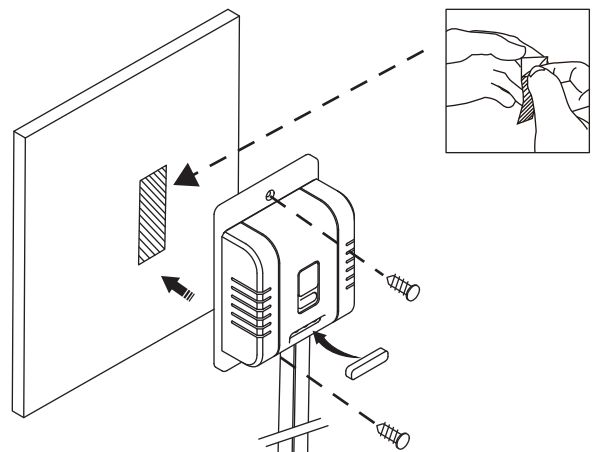


to be continued in Pairing section.

- Ⓑ Fix the cables to the receiver firmly.



- Ⓓ Fix the receiver by screws or sticker provided.



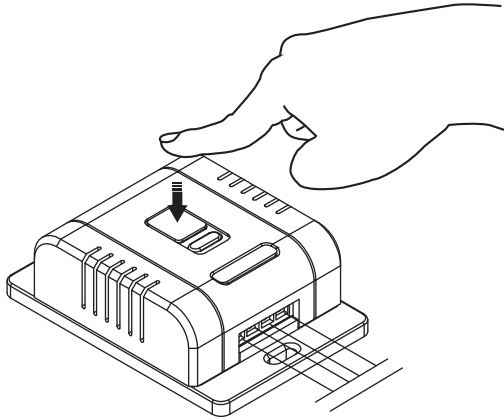
F. Pairing

1. For RF Pairing

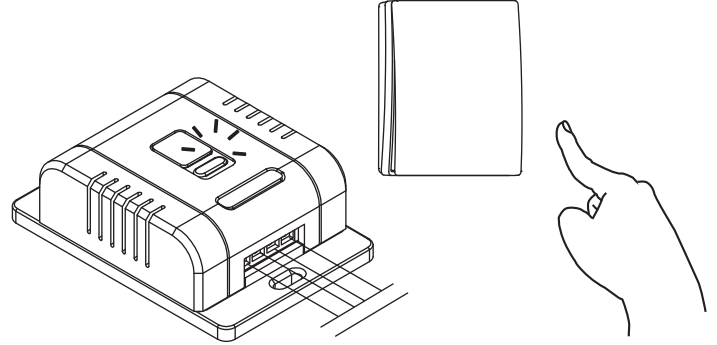


Reset Pairings:

RF - Long press the pairing key for 6-7s;
App - Long press the pairing key for 10-12s.



Press the Pairing Key for 3-4s,
until the RED indicator flash slowly.



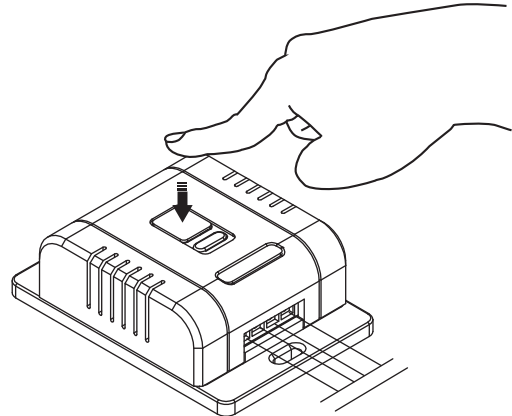
While the indicator on receiver flashes, press the
Kinetic switch ONCE to complete the pairing.

2. For App Pairing

(a) Download Tuya Smartlife App to process:

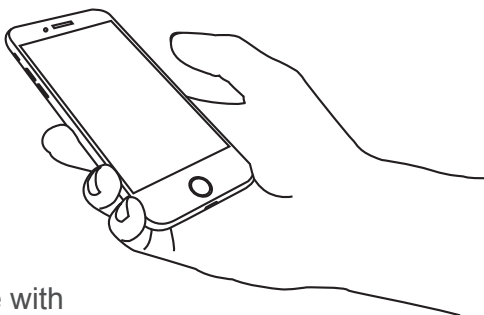


(b) Press 10-12s to activate App pairing on receiver:



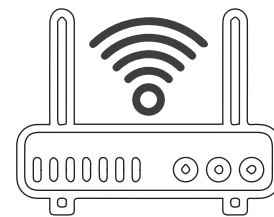
Press the Pairing Key for 10-12s,
until the Red indicator changes into Blue light.

(a) Add the Dimmer receiver to Tuya App
to complete pairing:



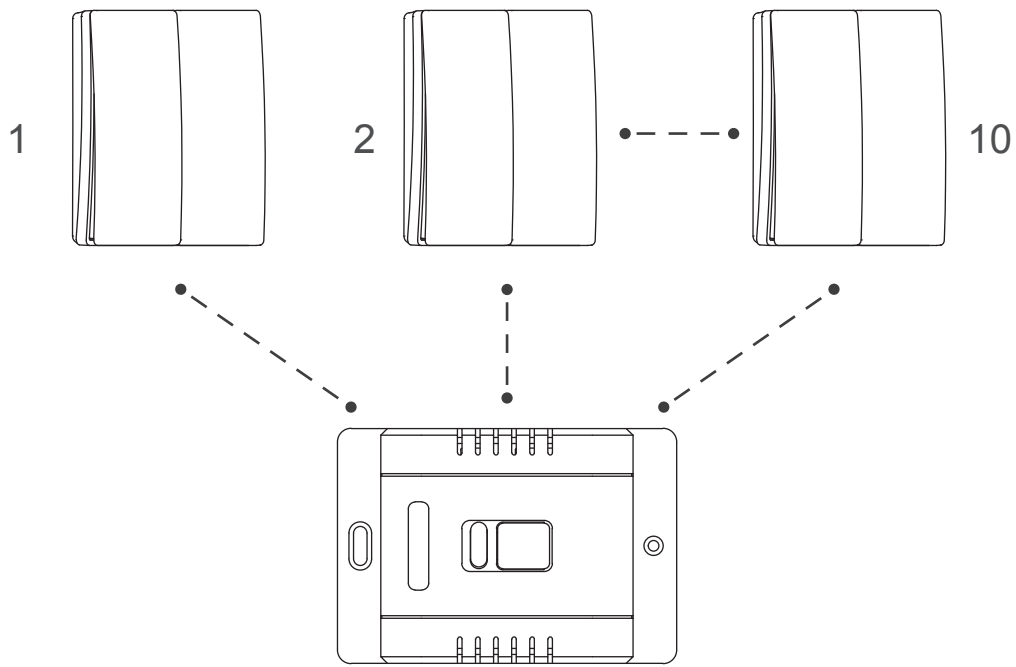
continue with
Tuya User Manual.....

(b) Please note, 5G Router is NOT compatible.



WiFi 2.4G

G. Pairing Limitations



Max. 10 Kinetic Switches to pair ONE Dimmer Receiver.

To avoid sync problem, we DO NOT suggest to pair multiple dimmer receivers to one or multiple Kinetic Switches.

H. Control the Dimmer via Kinetic Switch

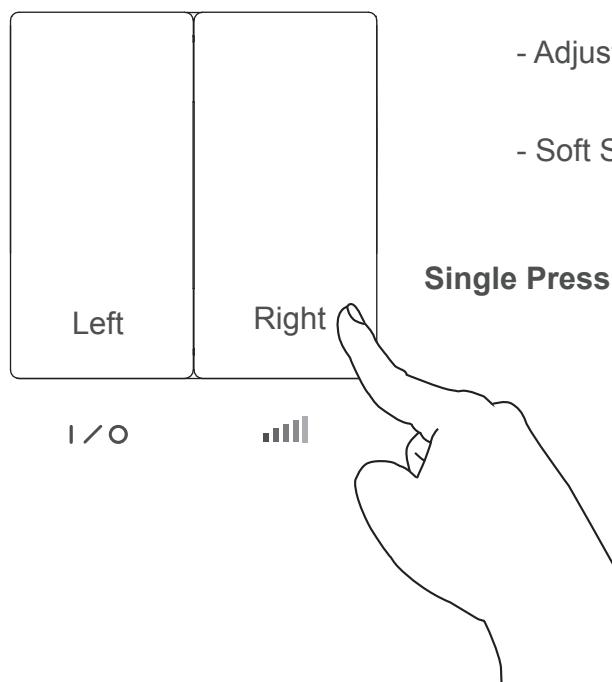
Left Switch Button

- Turn On/Off

Right Switch Button

- Adjust The Brightness

- Soft Start from Off



For better dimming performance, please set the Min. and Max. brightness range for the dimmer on Tuya App. Follow the Tuya User Manual to do so.

I. Control the Dimmer via Tuya App

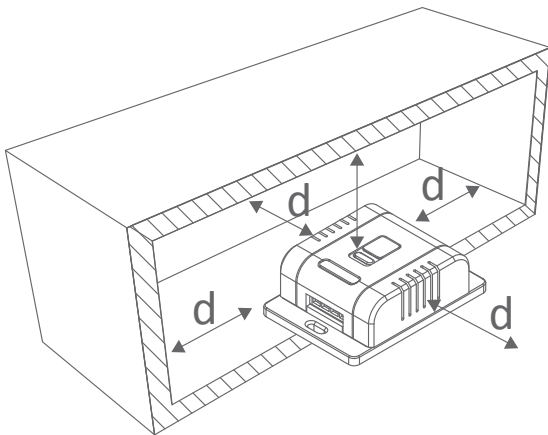


Follow Tuya App User Manual for better experience.

Scan the QR code to Tuya User Manual.

J. Attentions

d = Min. 50mm



Do not cover with insulations.

